

morphy richards®



Register online for your 2 year guarantee. See back of this instruction book for details.
(UK and Ireland customers only)
www.morphyrichards.co.uk



Essentials kettle



Please read and keep these instructions

Getting the best from your new kettle...

Empty the water out of the kettle after first boiling.

To clean away any deposits that are left in the kettle after the manufacturing process.

Descal as appropriate for the hardness of the water in your area.

It is important to descale as the performance of the kettle and auto switch off will be impaired.

Safety first.

Always pour water slowly and carefully to prevent the splashing of scalding water.



KT43530 MUK Rev 3

If you have a problem or complaint, please call our dedicated UK based helpline before returning your product to the retailer from where it was purchased.



UK Helpline: 0844 871 0954
Replacement Parts: 0844 873 0720
Ireland Helpline: 1800 409 119



For details of other Morphy Richards products, plus replacement parts and accessories, please see our website:

www.morphyrichards.com

IMPORTANT SAFETY INSTRUCTIONS

The use of any electrical appliance requires the following common sense safety rules.

Primarily there is danger of injury or death and secondly the danger of damage to the appliance. These are indicated in the text by the following two conventions:

WARNING: Danger to the person!

IMPORTANT: Damage to the appliance!

In addition we offer the following safety advice.

Location

- This appliance is intended to be used in household and similar applications such as:
 - farm houses;
 - by clients in hotels, motels and other residential type environments;
 - bed and breakfast type environments.
- It is not suitable for use in staff kitchen areas in shops, offices and other working environments.
- Always locate your appliance away from the edge of the worktop.
- Ensure that the appliance is used on a firm, flat surface.
- Do not use the appliance outdoors or near water.
- WARNING: Do not place the appliance onto a metal tray or metal surface whilst in use.**

Mains lead

- Do not let the mains lead hang over the edge of the worktop where a child could reach it.
- Do not let the lead run across an open space e.g. between a low socket and table.
- Do not let the lead run across a cooker or other hot area which might damage the cable.
- The mains lead should reach from the socket to the base unit without straining the connections.
- If the mains cord is damaged, it must be replaced by the manufacturer, its service agent or similarly qualified persons in order to avoid a hazard.

Personal safety

- WARNING: To protect against fire, electric shock and personal injury do not immerse cord, plug and appliance in water or any other liquid.**
- Always keep the top of the cordless base dry, especially around the connection area, disconnect the power supply before drying. Allow to dry thoroughly before reconnection to the power supply.
- Always pour hot water slowly and carefully without tipping the appliance too fast to prevent splashing and spillage.
- Extreme caution must be used when moving a appliance containing hot liquid.
- Do not touch hot surfaces, use handles or knobs.
- Always close the lid if applicable and always have the filter in place.
- Avoid contact with emitting steam when the water is boiling or just after it has switched off.
- Take care if opening the lid of the appliance when hot.
- WARNING:** Do not open the lid whilst the water is boiling.
- Do not fill above the MAX mark, otherwise boiling water may be ejected.
- Do not hold the switch in the on position or tamper with the switch to fix it in the on position as this may cause damage to the switch-off mechanism.
- Unplug from the outlet before cleaning.
- Allow to cool before putting on or taking off parts and before cleaning.
- CAUTION:** ensure that the kettle is switched off before removing it from its stand, or disconnecting the power lead on corded versions.
- Do not move the kettle while switched on.
- This appliance is not intended for use by persons (including children) with reduced physical, sensory or mental capabilities or lack of experience and knowledge unless they have been given supervision or instruction concerning use of the appliance by a person responsible for their safety.

Children

- Never allow a child to operate this appliance.
- Children are vulnerable in the kitchen particularly when unsupervised and if appliances are being used or cooking is being carried out.
- Teach children to be aware of dangers in the kitchen, warn them of the dangers of reaching up to areas where they cannot see properly or should not be reaching.

- Children should be supervised to ensure that they do not play with the appliance.

Treating scalds

- Run cold water over the affected area immediately. Do not stop to remove clothing, get medical help quickly.

Other safety considerations

- Do not leave appliance unattended whilst in use.
- Do not operate any appliance with a damaged cord or plug or after the appliance malfunctions or has been damaged in any manner. Contact Morphy Richards for advice.
- The use of attachments or tools not recommended or sold by Morphy Richards, may cause fire, electric shock or injury.
- The kettle is only to be used with the stand provided.
- Do not attempt to connect any other appliance to the base unit or this appliance to another base unit.
- Do not tamper with the connector in any way.
- Do not use the appliance for any use other than to boil water.
- Do not place the appliance on or near a hot gas or electric burner or in a heated oven.
- The appliance must not be on the base unit when being filled with water.
- Morphy Richards recommends that the mains lead of the cordless base cannot be repaired. If the mains lead is damaged, the cordless base should be discarded and replaced contact the helpline for

advice.

- Unplug from the outlet when not in use.
- **WARNING: The appliance must not be immersed for cleaning.**
- **CAUTION:** To prevent damage to the appliance, do not use alkaline cleaning agents when cleaning. Use a soft cloth and detergent.

ELECTRICAL REQUIREMENTS

Check that the voltage on the rating plate of your appliance corresponds with your house electricity supply which must be A.C. (Alternating Current).

If the socket outlets are not suitable for the plug supplied with this appliance the plug should be removed and the appropriate one fitted.

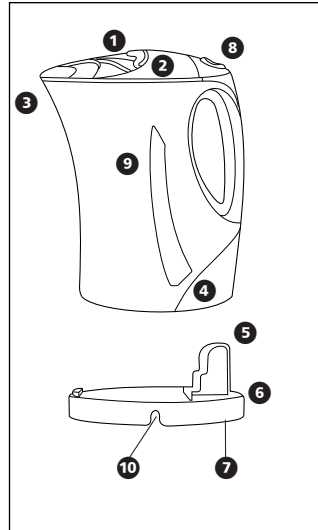
WARNING: The plug removed from the mains lead, if severed, must be destroyed as a plug with bared flexible cord is hazardous if engaged into a live socket outlet.

Should the fuse in the 13 amp plug require changing a 13 amp BS1362 fuse must be fitted.

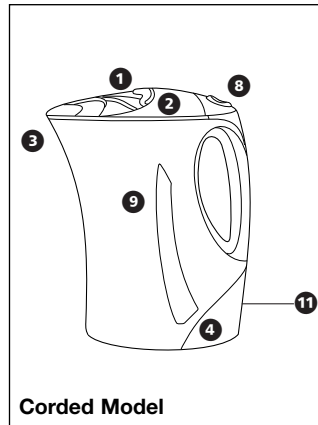
WARNING: This appliance must be earthed.

FEATURES

- | | |
|---|---|
| <ul style="list-style-type: none"> ① Lid lock ② Lid ③ Spout filter ④ Element ⑤ Base connector ⑥ Base unit (cordless version) ⑦ Cord storage (cordless version) | <ul style="list-style-type: none"> ⑧ On off switch / Power on neon ⑨ Water level indicator ⑩ Cord outlet (cordless version) ⑪ Socket (corded version) |
|---|---|



Cordless Model



Corded Model

BEFORE FIRST USE

Before using the appliance for the first time, fill with water, boil and pour away.

OPERATING THE APPLIANCE

Filling the kettle

- 1 Wherever possible fill through the spout, as this helps to free the filter from limescale build-up.
- The integrated water level indicator allows you to easily see the amount of water in the kettle.
- Always ensure that the level of water in the kettle is filled to at least the minimum level shown on the water gauge.
- Boil only as much water as you need as this saves electricity.

Corded models

- 2 Push the mains lead connector firmly into the kettle socket **11**.

Cordless models

- 2 Take the kettle to the base unit, hold the kettle level and then gently but firmly, push the rear of the kettle down to engage it with the base unit connector.
- 3 Plug in and switch on at the wall socket.
- 4 Switch the kettle on. The 'power on' neon will light up.
- 5 When the water boils the kettle will switch off automatically.

Corded models

- 6 Pull the mains lead connector out of the kettle.

Cordless models

- 6 Lift the kettle from the base unit by the handle ensuring you hold the kettle level.
- To re-boil, switch to ON again. If the kettle has just switched off wait a minute or so before switching it back on again.
- If you do not put in enough water, or switch on the kettle when it is empty, the safety cut-out will switch off the power automatically. If this happens, refill and wait a few minutes for the element to cool, then use as normal.

Filter removal

- 1 Open the lid.
- 2 Lift the filter upwards from its location.
- 3 To refit the filter, slot it into the side wall guides and press down firmly. Ensure the filter is correctly located into the central guide.

WARNING: Unless the filter is fitted correctly, the kettle lid may not close and lock securely and the kettle may not switch off automatically.

Descaling

IMPORTANT: This kettle must be descaled regularly. The frequency of descaling depends on usage and the hardness of the water in your area.

Excessive scale can cause the kettle to switch off before boiling and may damage the element invalidating the warranty. It is essential that regular descaling takes place.

Remove hard scale using a proprietary descaling product suitable for plastic kettles.

Alternatively use citric acid crystals (available from most pharmacies) as follows.

- 1 Fill the kettle 3/4 full, boil, then unplug the kettle (remove the cordless kettle from the base unit) and stand it in an empty sink or bowl.
- 2 Add 50gm of citric acid crystals to the water gradually, then leave the kettle to stand. Do not use a more concentrated solution.
- 3 As soon as the effervescence subsides, empty the kettle and rinse it thoroughly with cold water.
- 4 Wipe the outside of the kettle thoroughly with a damp cloth to remove all traces of acid which may damage the finish.

IMPORTANT: Ensure that the electrical connections are completely dry before using the kettle.

Cleaning

WARNING: Always disconnect the plug from the mains and allow the kettle to cool before cleaning.

Wipe the outside with a damp cloth.

IMPORTANT: Do not use abrasive cleaners on the outside of the kettle which may scratch the surface.

HELPLINE

If you have any difficulty with your appliance, do not hesitate to call us.

We are more likely to be able to help than the store from where you bought it.

Please have the following information ready to enable our staff to deal with your query quickly.

- Name of the product.
- Model number as shown on the underside of the appliance.
- Serial number as shown on underside of the appliance.

UK Helpline 0844 871 0954

Replacement Parts 0844 873 0720

Ireland Helpline 1800 409 119

WEBSITE

You may also contact us through our website, or visit the site to browse and purchase appliances, spare parts and accessories from the extensive Morphy Richards range.

www.morphyrichards.com

REGISTERING YOUR TWO YEAR GUARANTEE

Your standard one year guarantee is extended for an additional 12 months when you register the product within 28 days of purchase with Morphy Richards. If you do not register the product with Morphy Richards within 28 days, your product is guaranteed for 1 year. To validate your 2 year guarantee register with us online at www.morphyrichards.co.uk

N.B. Each qualifying product needs to be registered with Morphy Richards individually.

Please note that the 2 year guarantee is only available in the UK and Ireland. Please refer to the one year guarantee for more information.

YOUR ONE YEAR GUARANTEE

It is important to retain the retailer's receipt as proof of purchase. Staple your receipt to this back cover for future reference.

Please quote the following information if the product develops a fault. These numbers can be found on the base of the product.

Model no.

Serial no.

All Morphy Richards products are individually tested before leaving the factory. In the unlikely event of any appliance proving to be faulty within 28 days of purchase, it should be returned to the place of purchase for it to be replaced.

Morphy Richards products are intended for household use only. See usage limitations within the location safety instructions.

Morphy Richards has a policy of continuous improvement in product quality and design. The company, therefore reserves the right to change the specification of its models at any time.

If the fault develops after 28 days and within 12 months of original purchase, you should contact the Helpline number quoting Model number and Serial number on the product, or write to Morphy Richards at the address shown.

You may be asked to return a copy of proof of purchase.

Subject to the exclusions set out below (see Exclusions), the faulty appliance will then be repaired or replaced and dispatched usually within 7 working days of receipt.

If, for any reason, this item is replaced during the 1 year guarantee period, the guarantee on the new item will be calculated from original purchase date. Therefore it is vital to retain your original till receipt or invoice to indicate the date of initial purchase.

To qualify for the 1 year guarantee, the appliance must have been used according to the instructions supplied. For example, crumb trays should have been emptied regularly.

EXCLUSIONS

Morphy Richards shall not be liable to replace or repair the goods under the terms of the guarantee where:

- 1 The fault has been caused or is attributable to accidental use, misuse, negligent use or used contrary to the manufacturer's recommendations or where the fault has been caused by power surges or damage caused in transit.
- 2 The appliance has been used on a voltage supply other than that stamped on the products.

3 Repairs have been attempted by persons other than our service staff (or authorised dealer).

4 The appliance has been used for hire purposes or non domestic use.

5 The appliance is second hand.

6 Morphy Richards are not liable to carry out any type of servicing work, under the guarantee.

7 Plastic filters for all Morphy Richards kettles and coffee makers are not covered by the guarantee.

8 Batteries and damage from leakage are not covered by the guarantee.

- This guarantee does not confer any rights other than those expressly set out above and does not cover any claims for consequential loss or damage. This guarantee is offered as an additional benefit and does not affect your statutory rights as a consumer.

- This guarantee is valid in the UK and Ireland only.



For electrical products sold within the European Community. At the end of the electrical products useful life, it should not be disposed of with household waste. Please recycle where facilities exist. Check with your Local Authority or retailer for recycling advice in your country.

morphy richards

**The After Sales Division
Morphy Richards Ltd**
Mexborough, South Yorkshire,
England, S64 8AJ

Helplines (office hours)
UK 0844 871 0954
Spare Parts 0844 873 0720
Republic of Ireland 1800 409 119

KT43530 MUK Rev 3 10/09

For details of other Morphy Richards products, plus replacement parts and accessories, please see our website:

www.morphyrichards.com